

# START SURFACE IP66 2400LM 830 IK10 BLK

Item No: 0049018

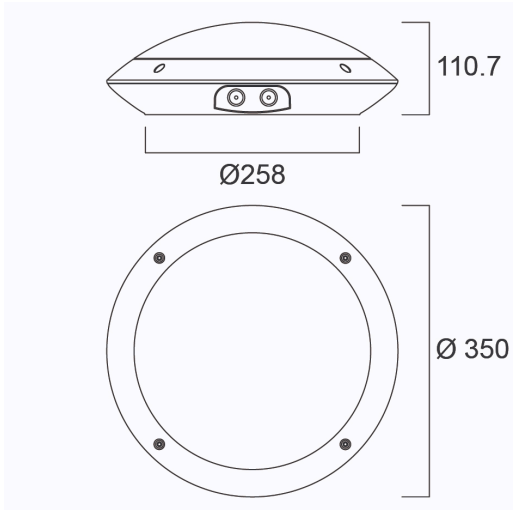
**SYLVANIA**



LED exterior surface mounted luminaire, 350mm diameter, 2400lm as max. lumen output, can be adjusted down to 1700lm by internal switch, 24W power consumption, 100lm/W efficacy, 3000K color temperature, CRI80, non-dimmable, IP66, IK10, 50,000 hours (L70), black housing, vandal resistant, supplied with anti-theft screws

## Technical Assets

### Dimensions (mm)

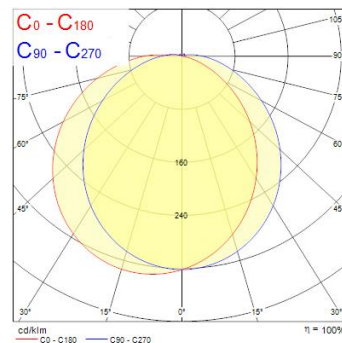


### Photometrics

Distance [m]	Cone diameter [m]	Illuminance [lx]
0.5	1.44	224
	1.46	208
1.0	2.88	56
	2.92	50
1.5	4.32	24
	4.38	22
2.0	5.76	14
	5.84	11
2.5	7.19	8
	7.30	6
3.0	8.63	5
	8.76	4

Distance [m]      Cone diameter [m]      Illuminance [lx]

— C0 - C180 (Half beam angle: 111.2°)      E17°  
 — C90 - C270 (Half beam angle: 110.4°)      E12°  
 — C0 - C270 (Half beam angle: 110.4°)      E10°



# START SURFACE IP66 2400LM 830 IK10 BLK

Item No: 0049018

**SYLVANIA**

## General data

Product name	START SURFACE IP66 2400LM 830 IK10 BLK
Technology	LED
Housing	PC Polycarbonate
Mount	Ceiling surface mounting
Environment	Indoor, Outdoor
General application	Hospitality
Operating temperature range (°C)	-20°C...+45°C
Performance ambient temperature Tq (°C)	25
ETIM Class	EC002892
E-number FI	4579484
Warranty	5 years

## Optical data

Useful luminous flux (Φuse)	2400
Fixture luminous flux (lm)	2400
Luminaire efficacy (lm/W)	100
Correlated colour temperature (k)	3000
Colour Code	830
Light colour	Warm White
CRI (Ra)	80
Colour Variation Initial (SDCM)	SDCM6
Beam Angle (°)	120
Photobiological Risk Group	RG0

## Electrical data

Total power consumption (W)	24
Primary Supply/Product voltage - min (V)	198.0
Primary Supply/Product voltage - max (V)	264.0
Lamp power factor	0.9
Electrical protection	Class II
Dimmable	No
Drive current (mA)	750
Inrush Current (A)	15
Inrush Duration (µs)	200
Energy Efficiency Class (A->G) of contained light source	E
Nominal Frequency (Hz)	50/60Hz
LED Flickering Rate	Ultra low (5% or less)
Max. products per 10A C Breaker	20
Max. products per 13A C Breaker	26
Max. products per 16A C Breaker	32
Max. products per 20A C Breaker	40

## Lifetime data

Lifespan L70 B50	50000
------------------	-------

## Physical data

Housing colour	RAL 9011 - Graphite black
IP rating	IP66
IK rating	IK10
Diffuser finish	Opal
Diffuser material	PC Polycarbonate
Nominal Product Height (mm)	111
Nominal Product Diameter (mm)	350
Weight (kg)	1.25

# START SURFACE IP66 2400LM 830 IK10 BLK

Item No: 0049018

**SYLVANIA**

## Packaging

Product EAN number	5410288490182
Packaging single length / height (cm)	35.0
Packaging single width (cm)	35.0
Packaging single depth (cm)	11.1
DUN14 (inner)	15410288490189
Units per outer package	8
Packaging outer length / height (cm)	72.0
Packaging outer width (cm)	37.0
Packaging outer depth (cm)	49.0

## Safety data

Glow Wire Test (°C)	650
Optimal operating condition (°C)	-20-45